

AIR HANDLING UNIT INTERFACE

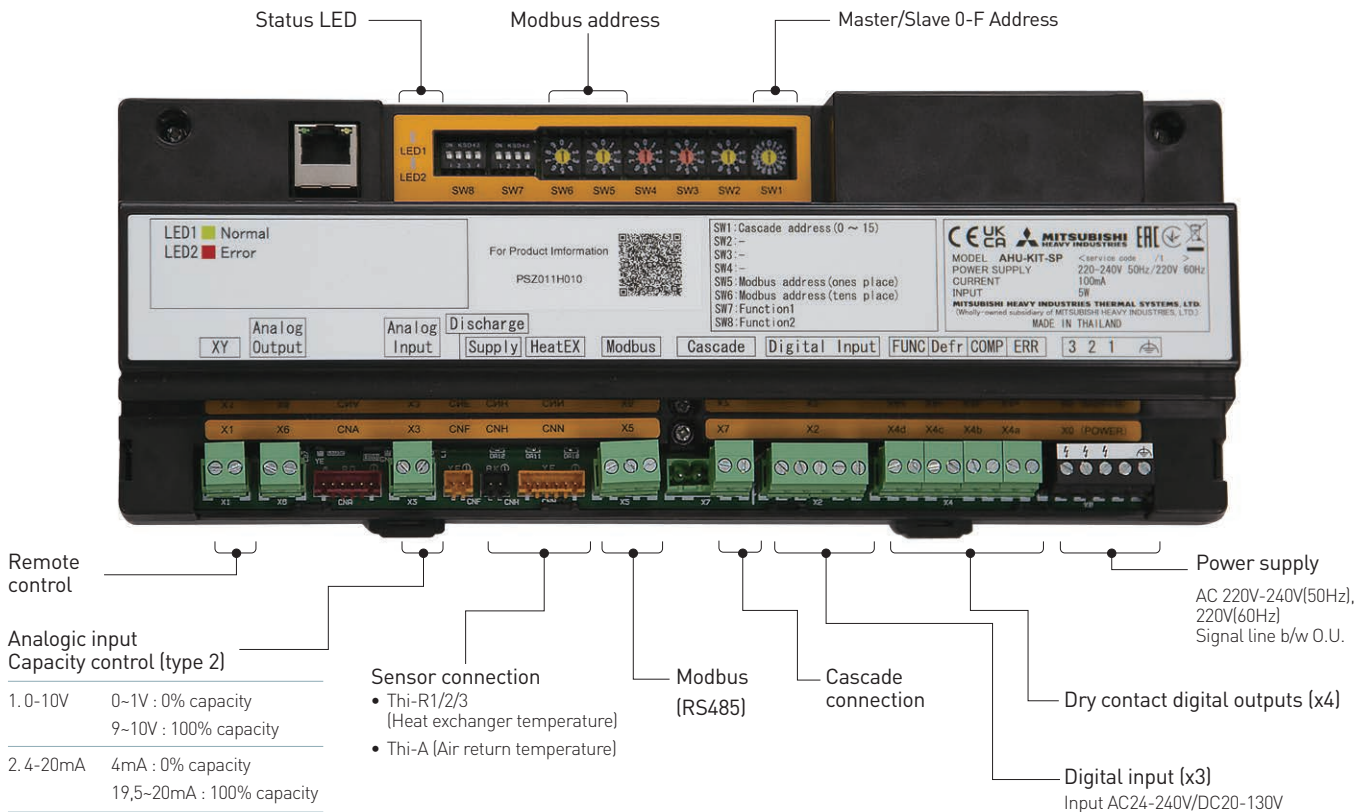
AHU-KIT-SP

The AHU controller for the air handling units works as an interface between MHI's commercial outdoor units and the air handling unit.

- Compact interface for RAC and PAC outdoor units.
- Capacity control via 0-10V / 4-20 mA signal.
- 3 digital input signals, and 4 output digital signals.
- Connessione Modbus (RS485).
- Cascade control for up to 16 units.
- Inlet air temperature control.



MAIN COMPONENTS



MAIN FEATURES

Model	AHU-KIT-SP	
Dimensions (LxDxH)	290x57x109.5 mm	
External input	Capacity control	○ 0-10V DC, 4-20mA(0-100%)
	Cooling / Heating	○
	Operatività On/Off	○
	Emergency stop	○
	Comp On/Off	○
External output	Active/Stop	○
	Defrost On/Off	○
	Cool/Heat Mode	○
	Error	○
Modbus (RS-485)	○	
Cascade control	○ Max 16	
Safety standard	EN60335-1	

COMPATIBILITY

Capacity	R32
Small	SRC 40/50/60 ZSX-W1/W2 FDC 71 VNX-W
	FDC 100/125/140 VNX-W
Medium	FDC 100/125/140 VSX-W
	FDC 100/125/140 VNA-W
	FDC100/125/140 VSA-W
Large	FDC 200/250/280 VSA-W

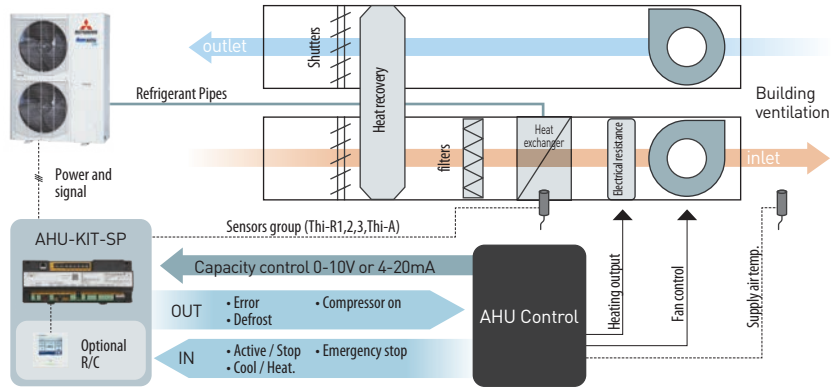
AIR HANDLING UNIT INTERFACE

System examples

GENERAL AHU

1. 0-10V / 4-20mA capacity control
2. Various I / O for better control
3. Optional command

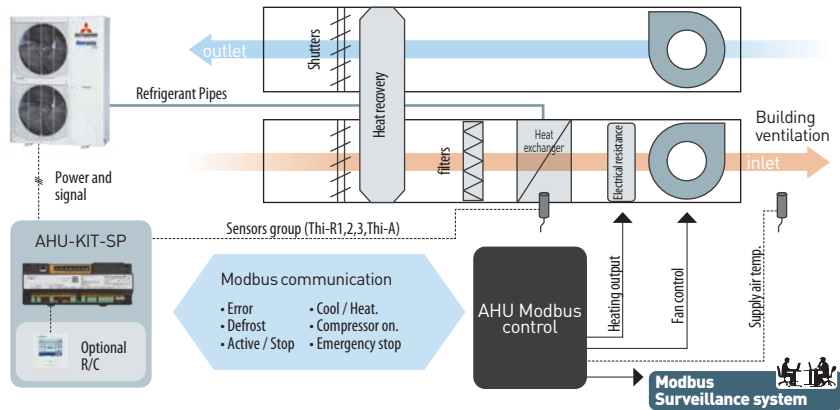
Compatible with standard AHU controllers on the market.
Wide flexibility.



MODBUS AHU

1. Modbus connection
2. Same control as the external I / O
3. Optional command

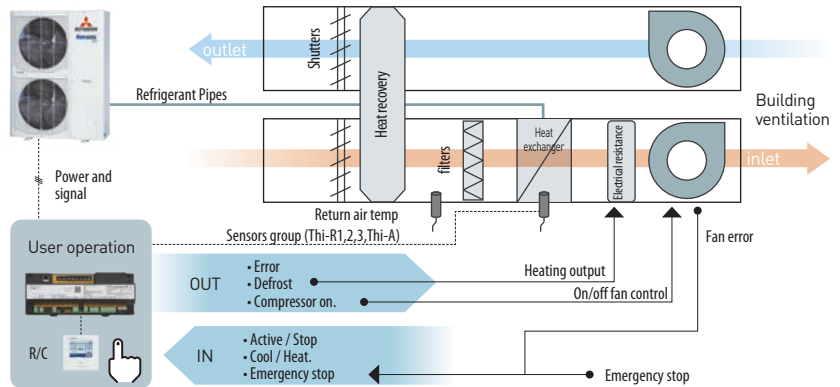
BMS connectivity without any additional devices.



SIMPLE AHU

1. Connecting the remote control
2. Adequate external input / output

Simple autonomous management of the AHU through the temperature control set by RC.



AHU GREAT CAPACITY

Cascade control offers a wide range of AHU capabilities with a smaller volume.
Multiple outdoor units increase the reliability and efficiency of the system.

